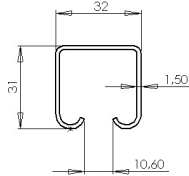


## ATEX FESTOON SYSTEM ON C-PROFILE 2300

### PROFILE

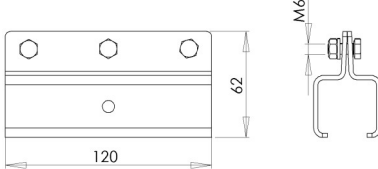
Max. bundle: 50(L) x 20 (H) mm



REFERENCE	CODE	MATERIAL	TRACK LENGTH	WEIGHT
2300/R-1-Inox	303259	Stainless steel AISI 316	5 Metres	1,22 Kg/m

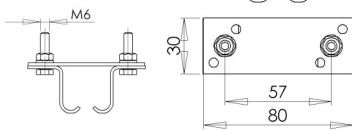
- Section: 1,560cm<sup>2</sup>
- Ix: 1,990cm<sup>4</sup>
- Wx: 1,156cm<sup>3</sup>

### JOINT



REFERENCE	CODE	MATERIAL		WEIGHT
		Laterals	Screws	
2300/R-3-J-Inox	303436	Stainless steel	Stainless steel	0,375 Kg

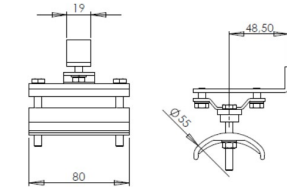
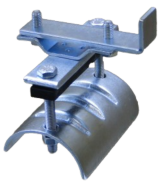
### SUPPORT



REFERENCE	CODE	MATERIAL		WEIGHT
		Base+Laterals	Screws	
2300/R-4-H2-Inox	303437	Stainless steel	Stainless steel	0,106 Kg

### END CLAMP

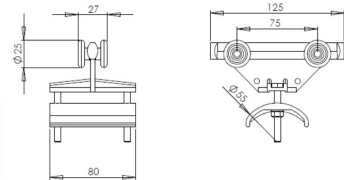
Saddle ø55mm



REFERENCE	CODE	MATERIAL			WEIGHT
		Body	Screws	Saddle	
2316-2-Ex	303566	Stainless steel	Stainless steel	Stainless steel	0,315 Kg

### CABLE TROLLEY

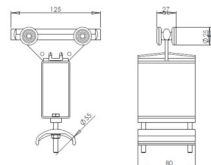
Saddle ø55mm



REFERENCE	CODE	MATERIAL			WEIGHT
		Body	Screws + Ball bearings	Saddle	
2316-5-Ex	303567	Aluminium	Stainless steel	Stainless steel	0,275 Kg

### TOWING TROLLEY

Saddle ø55mm

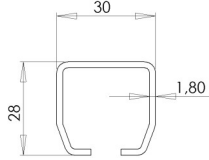


REFERENCE	CODE	MATERIAL				WEIGHT
		Body	Screws + Ball bearings	Towing attachment	Saddle	
2316-6-Ex	303568	Aluminium	Stainless steel	Stainless steel	Stainless steel	0,351 Kg

## ATEX FESTOON SYSTEM ON C-PROFILE 2331

### PROFILE

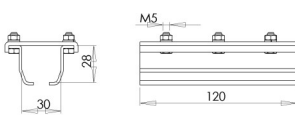
Max. bundle: 50(L) x 20 (H) mm



REFERENCE	CODE	MATERIAL	TRACK LENGTH	WEIGHT
2331-1-Inox	302300	Stainless steel AISI 316	5 Metres	1,30 Kg/m

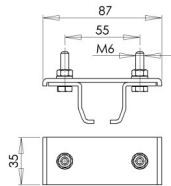
- Section: 1,670cm<sup>2</sup>
- Ix: 1,617cm<sup>4</sup>
- Wx: 1,006cm<sup>3</sup>

### JOINT



REFERENCE	CODE	MATERIAL	WEIGHT
		Laterals	Screws
2331-3-Inox	302269	Stainless steel	Stainless steel 0,375 Kg

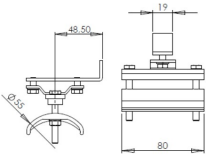
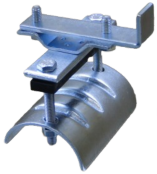
### SUPPORT



REFERENCE	CODE	MATERIAL	WEIGHT
		Base+Laterals	Screws
2331-4-Inox	302270	Stainless steel	Stainless steel 0,165 Kg

### END CLAMP

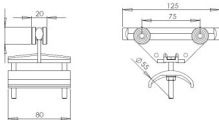
Saddle ø55mm



REFERENCE	CODE	MATERIAL	WEIGHT
		Body	Screws Saddle
2400-CH-2-Ex	302462	Stainless steel	Stainless steel 0,315 Kg

### CABLE TROLLEY

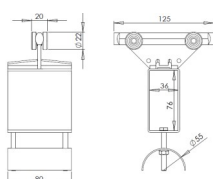
Saddle ø55mm



REFERENCE	CODE	MATERIAL	WEIGHT
		Body	Screws + Ball bearings Saddle
2400-CH-5-Ex	302463	Aluminium	Stainless steel 0,274 Kg

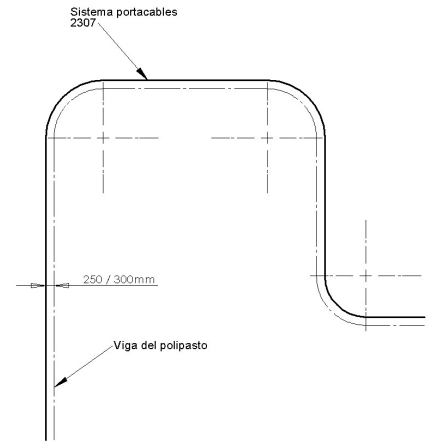
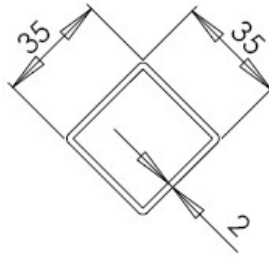
### TOWING TROLLEY

Saddle ø55mm

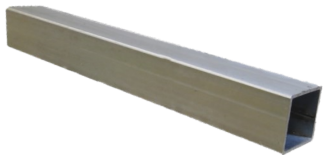


REFERENCE	CODE	MATERIAL	WEIGHT
		Body	Screws + Ball bearings Towing attachment Saddle
2400-CH-6-Ex	302464	Aluminium	Stainless steel 0,490 Kg

## ATEX FESTOON SYSTEM ON DIAMOND PROFILE 2307

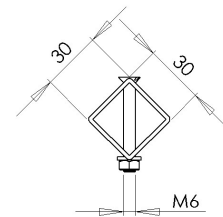
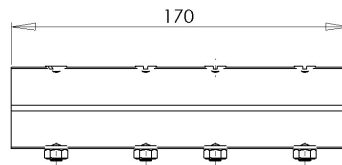


### PROFILE



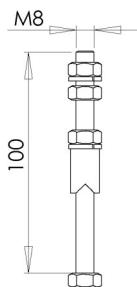
REFERENCE	CODE	MATERIAL	TRACK LENGTH	WEIGHT
2307-1-AISI316	306411	Stainless steel AISI 316	5 Metres	2,1 Kg/m

### JOINT



REFERENCE	CODE	MATERIAL		WEIGHT
		Body	Screws	
2307-3-Inox	306152	Stainless steel	Stainless steel	0,345 Kg

### SUPPORT



REFERENCE	CODE	MATERIAL		WEIGHT
		Ferrule	Screws	
2307-4-Inox	306153	Stainless steel	Stainless steel	0,085 Kg

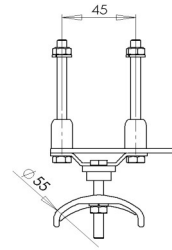
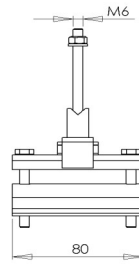


# SERIES 2307(AL)-CH-EX



## END CLAMP

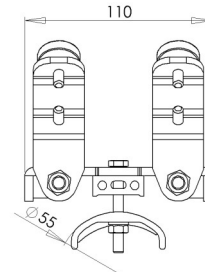
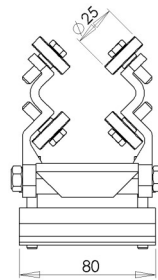
Saddle  $\varnothing$ 55mm



REFERENCE	CODE	MATERIAL		WEIGHT
		Body+Screws	Saddle	
2307-CH-2-Ex	306509	Stainless steel	Stainless steel	0,331 Kg

## CABLE TROLLEY

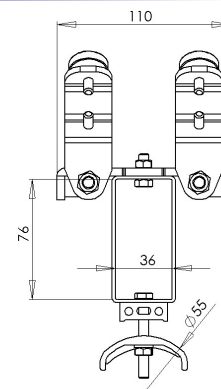
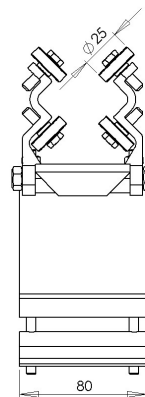
Saddle  $\varnothing$ 55mm



REFERENCE	CODE	MATERIAL			WEIGHT
		Body	Saddle	Ball bearings + Screws	
2307(AL)-CH-5-Ex	306235	Aluminium	Stainless steel	Stainless steel	0,738 Kg

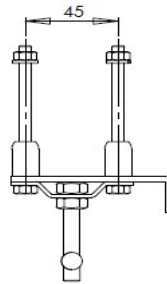
## TOWING TROLLEY

Saddle  $\varnothing$ 55mm



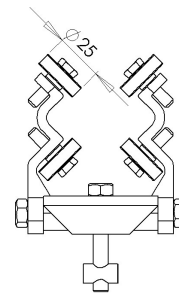
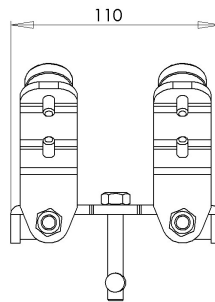
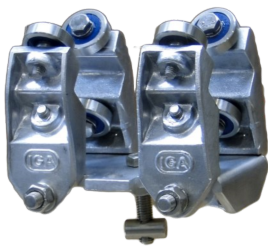
REFERENCE	CODE	MATERIAL			WEIGHT
		Body	Saddle + towing attachment	Ball bearings y Screws	
2307(AL)-CH-6-Ex	306236	Aluminium	Stainless steel	Stainless steel	1,118 Kg

## END CLAMP



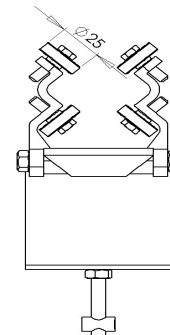
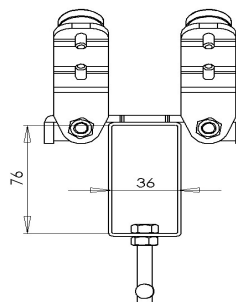
REFERENCE	CODE	MATERIAL	WEIGHT
2307/2-Ex	306578	Stainless steel	0,340 Kg

## CABLE TROLLEY



REFERENCE	CODE	MATERIAL			WEIGHT
		Body	Pin	Ball bearings and screws	
2307(AL)/5-Ex	306579	Aluminium	Stainless steel	Stainless steel	0,652 Kg

## TOWING TROLLEY



REFERENCE	CODE	MATERIAL			WEIGHT
		Body	Pin and towing attachment	Ball bearings and screws	
2307(AL)/6-Ex	306580	Aluminium	Stainless steel	Stainless steel	0,710 Kg

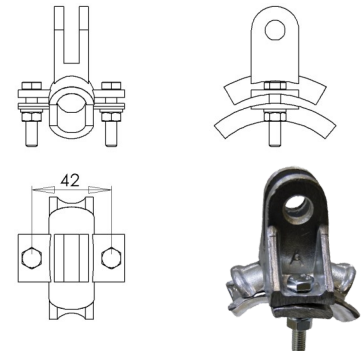


# SERIES 2307(AL)/A/B/C-EX



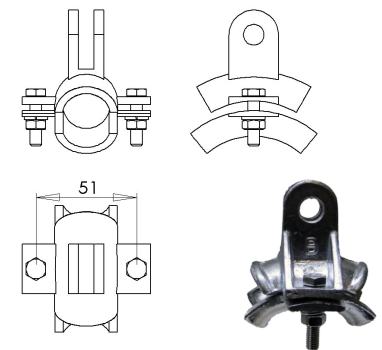
## CLIP "+A" for cables from $\varnothing 8\text{mm}$ to $\varnothing 15\text{mm}$

REFERENCE	CODE	MATERIAL	SCREWS	WEIGHT
+A-Inox	303596	Aluminium	Stainless steel	0,104 Kg



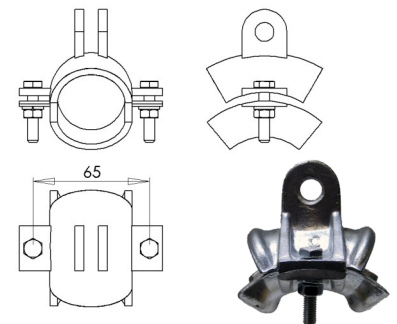
## CLIP "+B" for cables from $\varnothing 16\text{mm}$ to $\varnothing 24\text{mm}$

REFERENCE	CODE	MATERIAL	SCREWS	WEIGHT
+B-Inox	303597	Aluminium	Stainless steel	0,114 Kg



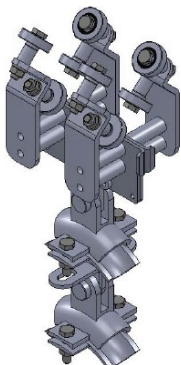
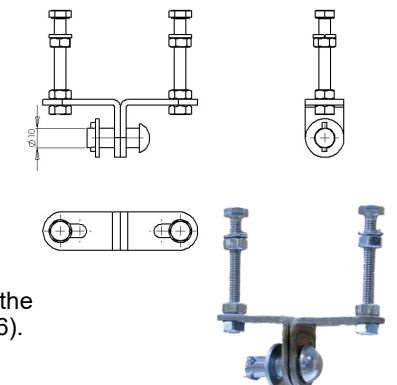
## CLIP "+C" for cables from $\varnothing 25\text{mm}$ to $\varnothing 35\text{mm}$

REFERENCE	CODE	MATERIAL	SCREWS	WEIGHT
+C-Inox	303598	Aluminium	Stainless steel	0,150 Kg



## "T" UNION

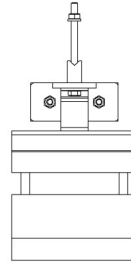
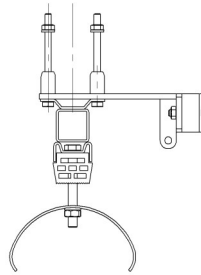
REFERENCE	CODE	MATERIAL	SCREWS + RIVET	WEIGHT
T-Inox	303599	Stainless steel	Stainless steel	0,107 Kg



The clips makes a 90 degree turn in order to make easier the parking.  
When ordering, add to the reference, the necessary clips, followed by the indicative number: end clamp (-2), cable trolley (-5) or towing trolley (-6).

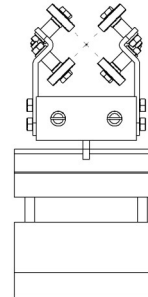
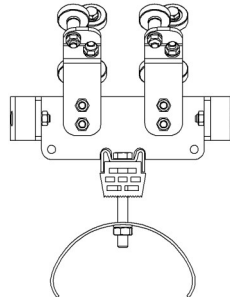
- Example:
- End clamp 2307/C+B-2.
  - Cable trolley 2307(AL)/B+B+A-5.
  - Towing trolley 2307(AL)/A-6.

## END CLAMP



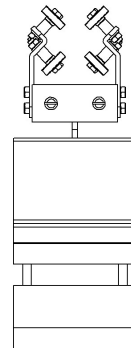
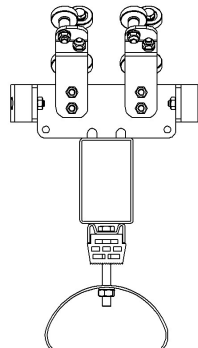
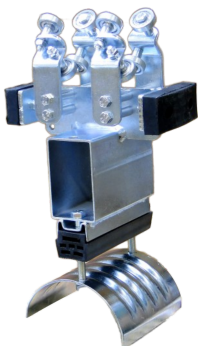
REFERENCE	CODE	MATERIAL			WEIGHT
		Body	Saddle	Screws	
H-2307-L-PL-2-Ex	--	Stainless steel	Stainless steel	Stainless steel	-- Kg

## CABLE TROLLEY



REFERENCE	CODE	MATERIAL			WEIGHT
		Body	Saddle	Ball bearings + Screws	
H-2307-L-PL-5-Ex	--	Stainless steel	Stainless steel	Stainless steel	-- Kg

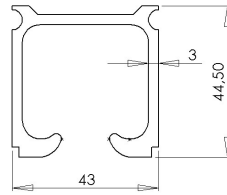
## TOWING TROLLEY



REFERENCE	CODE	MATERIAL			WEIGHT
		Body + Towing attachment	Saddle	Ball bearings + Screws	
H-2307-L-PL-6-Ex	--	Stainless steel	Stainless steel	Stainless steel	-- Kg

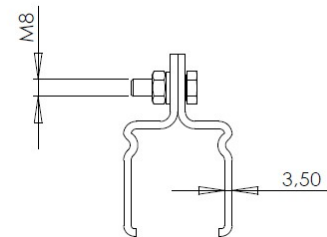
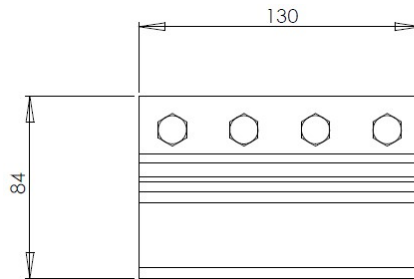
## ATEX FESTOON SYSTEM ON C-PROFILE 2310

### PROFILE



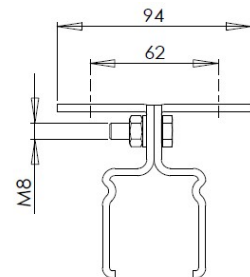
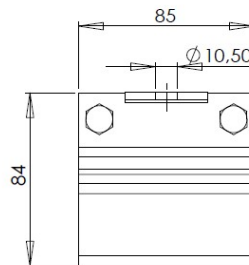
REFERENCE	CODE	MATERIAL	TRACK LENGTH	WEIGHT
2310-1	304001	Aluminium	5 Metres	1,2 Kg/m

### JOINT



REFERENCE	CODE	MATERIAL		WEIGHT
		Laterals	Screws	
2310-3-EX	304152	Brass	Stainless steel	0,700 Kg

### SUPPORT



REFERENCE	CODE	MATERIAL		WEIGHT
		Laterals	Screws	
2310-4-EX	304153	Brass	Stainless steel	0,500 Kg



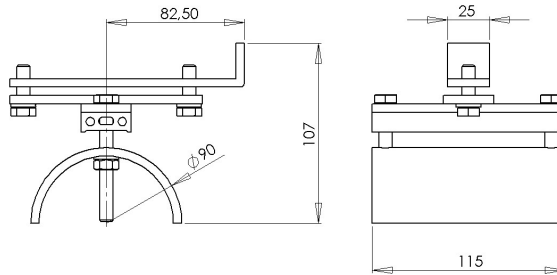


# SERIES 2310-EX



## END CLAMP

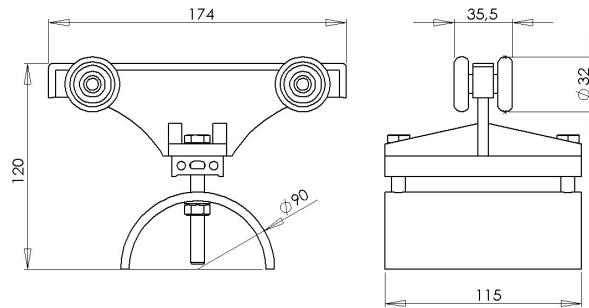
Saddle  $\varnothing$ 90mm



REFERENCE	CODE	MATERIAL			WEIGHT
		Body	Screws	Saddle	
2310-2-EX	304157	Brass	Stainless steel	Aluminium	0,700 Kg

## CABLE TROLLEY

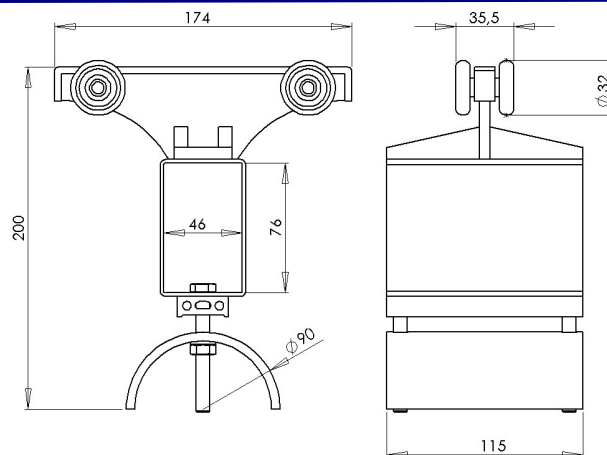
Saddle  $\varnothing$ 90mm



REFERENCE	CODE	MATERIAL			WEIGHT
		Body	Screws + Ball bearings	Saddle	
2310-5-EX	304158	Aluminium	Stainless steel	Aluminium	0,800 Kg

## TOWING TROLLEY

Saddle  $\varnothing$ 90mm

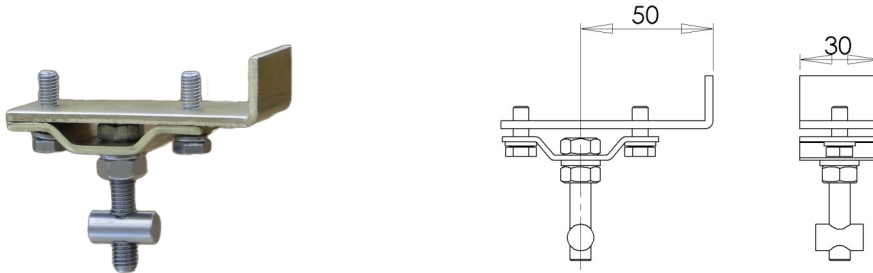


REFERENCE	CODE	MATERIAL				WEIGHT
		Body	Screws + Ball bearings	Towing attachment	Saddle	
2310-6-EX	304141	Aluminium	Stainless steel	Stainless steel	Aluminium	1,700 Kg

## 2336/A/B/C-EX

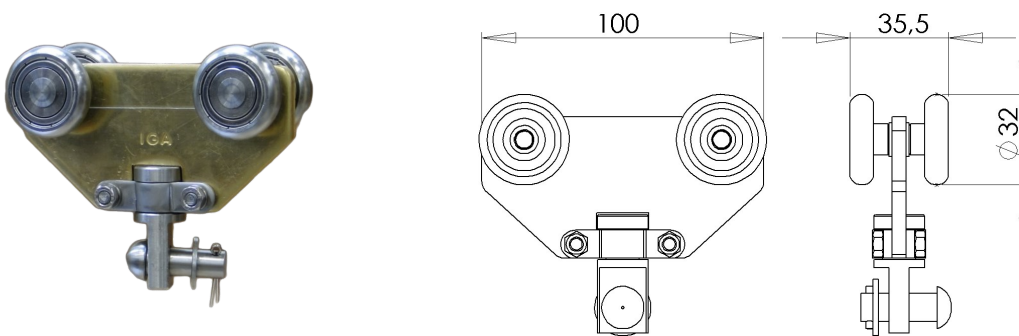


### END CLAMP



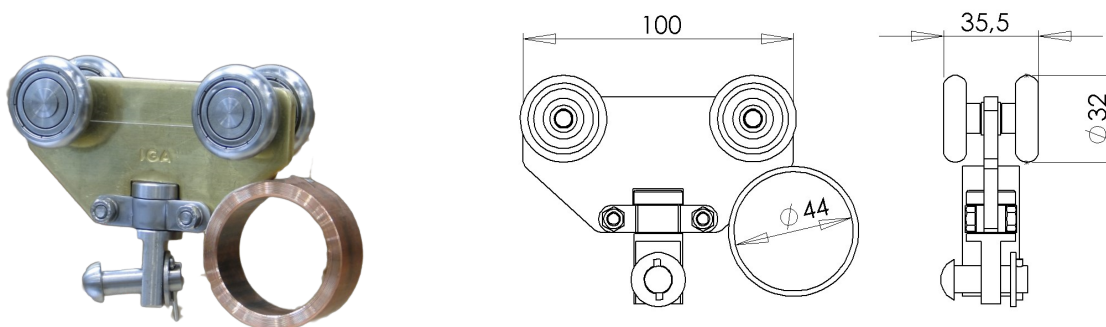
REFERENCE	CODE	MATERIAL			WEIGHT
		Body	Pin	Screws	
2336-2-Ex	804237	Brass	Stainless steel	Stainless steel	0,215 Kg

### CABLE TROLLEY



REFERENCE	CODE	MATERIAL			WEIGHT
		Body	Pin	Ball bearings and Screws	
2336-5-Ex	804238	Brass	Stainless steel	Stainless steel	0,384 Kg

### TOWING TROLLEY



REFERENCE	CODE	MATERIAL			WEIGHT
		Body	Towing attachment	Ball bearings, Pin and Screws	
2336-6-Ex	804239	Brass	Copper	Stainless steel	0,435 Kg

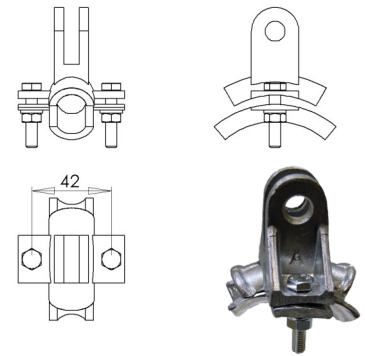


# SERIES 2310-EX 2336/A/B/C-EX



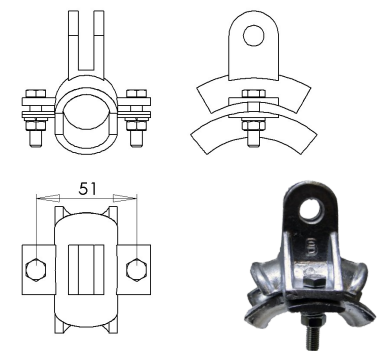
## CLIP "+A" for cables from $\varnothing 8\text{mm}$ to $\varnothing 15\text{mm}$

REFERENCE	CODE	MATERIAL	SCREWS	WEIGHT
+A-Inox	303596	Aluminium	Stainless steel	0,104 Kg



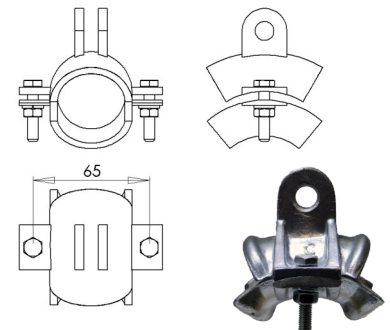
## CLIP "+B" for cables from $\varnothing 16\text{mm}$ to $\varnothing 24\text{mm}$

REFERENCE	CODE	MATERIAL	SCREWS	WEIGHT
+B-Inox	303597	Aluminium	Stainless steel	0,114 Kg



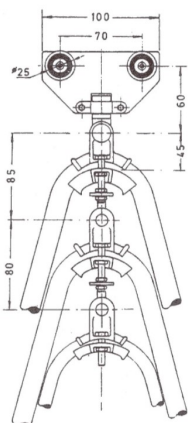
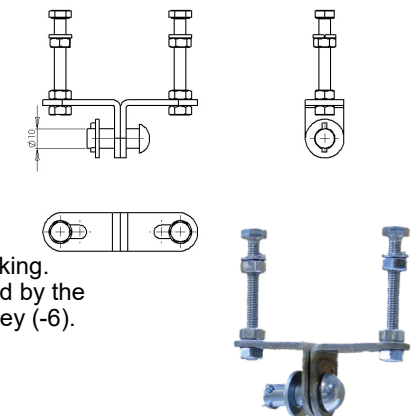
## CLIP "+C" for cables from $\varnothing 25\text{mm}$ to $\varnothing 35\text{mm}$

REFERENCE	CODE	MATERIAL	SCREWS	WEIGHT
+C-Inox	303598	Aluminium	Stainless steel	0,150 Kg



## "T" UNION

REFERENCE	CODE	MATERIAL	SCREWS + BULON	WEIGHT
T-Inox	303599	Stainless steel	Stainless steel	0,107 Kg



Intermedio - Ref. 2.335 + C + B + A-5

The clips makes a 90 degree turn in order to make easier the parking.  
When ordering, add to the reference, the necessary clips, followed by the indicative number: end clamp (-2), cable trolley (-5) or towing trolley (-6).

- Example:
- End clamp ref. 2336+C+B-2-Ex.
  - Cable trolley ref. 2336+B+B+A-5-Ex.
  - Towing trolley ref. 2336+A-6-Ex.

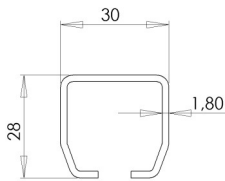
## ATEX FESTOON SYSTEM ON C-PROFILE 2331

There are some standard sizes which are kept in stock in order to improve delivery time. Otherwise customized dimensions could be manufactured according to customer's specifications.

### STANDARD SIZES

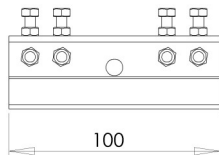
Trolley length L	Saddle PL	
	Diam	Useful width
100mm	55mm	58mm
125mm	55mm	58mm
	85mm	58mm
150mm	100mm	100mm

### PROFILE



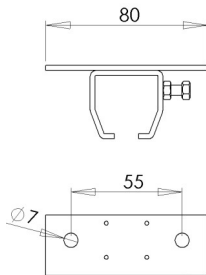
REFERENCE	CODE	MATERIAL	TRACK LENGTH	WEIGHT
2331-1	302001	Galvanized steel	5 Metres	1,30 Kg/m

### JOINT



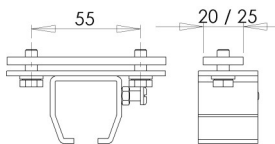
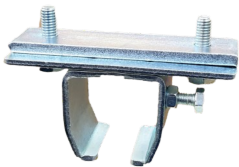
REFERENCE	CODE	MATERIAL		WEIGHT
		Body	Screws	
2331-3E-Ex	302482	Zinc plated steel	Zinc plated steel	0,178 Kg

### SUPPORT



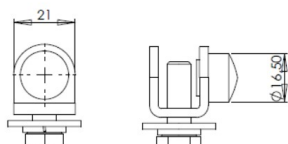
REFERENCE	CODE	MATERIAL		WEIGHT
		Base+Body	Screws	
2331-4-A	302005	Zinc plated steel	Zinc plated steel	0,112 Kg

### TRACK SUPPORT



Support arm with profile	REFERENCE	CODE	MATERIAL		WEIGHT
			Base+Body	Screws	
2331-1	2331-4-A-31	309323	Zinc plated steel	Zinc plated steel	0,176 Kg
2500-1	2331-4-A-500	302212	Zinc plated steel	Zinc plated steel	0,202 Kg

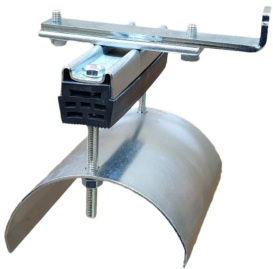
### END BUMPER STOP



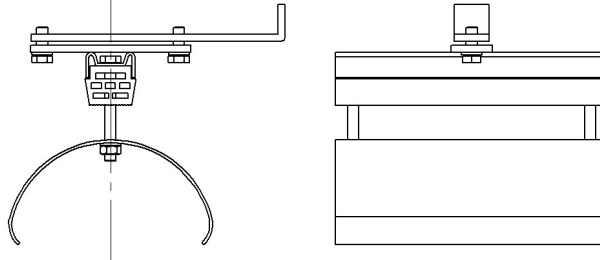
REFERENCE	CODE	MATERIAL		WEIGHT
		Base+Screws	Buffer	
2309-2	302118	Zinc plated steel	Rubber	0,048 Kg

## ATEX FESTOON SYSTEM ON C-PROFILE 2331

### END CLAMP

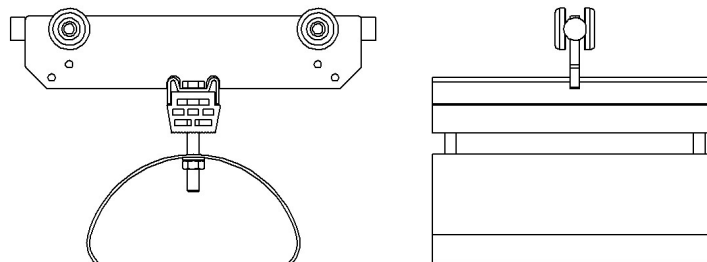


REFERENCE	CODE	MATERIAL			WEIGHT
		Body	Screws	Saddle	
2330-D(22)-L-PL-2-Ex	---	Zinc plated steel	Zinc plated steel	Zinc plated steel	-- Kg



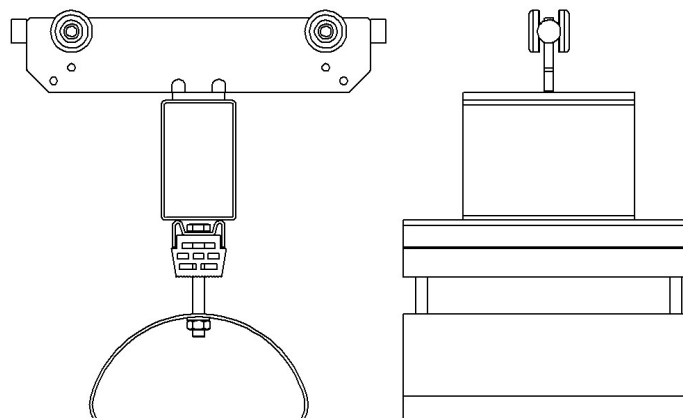
### CABLE TROLLEY

REFERENCE	CODE	MATERIAL			WEIGHT
		Body	Screws + Ball bearings	Saddle	
2330-D(22)-L-PL-5-Ex	---	Zinc plated steel	Zinc plated steel	Zinc plated steel	-- Kg



### TOWING TROLLEY

REFERENCE	CODE	MATERIAL				WEIGHT
		Body	Screws + Ball bearings	Towing attachment	Saddle	
2330-D(22)-L-PL-6-Ex	---	Zinc plated steel	Zinc plated steel	Zinc plated steel	Zinc plated steel	-- Kg



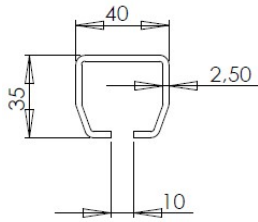
## ATEX FESTOON SYSTEM ON C-PROFILE 2500

There are some standard sizes which are kept in stock in order to improve delivery time. Otherwise customized dimensions could be manufactured according to customer's specifications.

### STANDARD SIZES

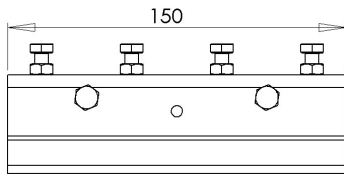
Trolley length L	Saddle PL	
	Diam	Useful width
200mm	100mm	100mm
	125mm	100mm
	125mm	150mm
250mm	150mm	100mm
	150mm	150mm

### PROFILE



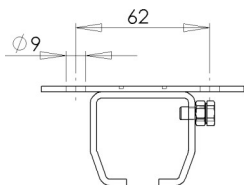
REFERENCE	CODE	MATERIAL	TRACK LENGTH	WEIGHT
2500-1	305001	Galvanized steel	5 Metres	2,20 Kg/m

### JOINT



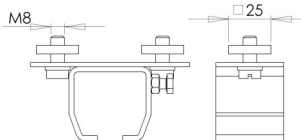
REFERENCE	CODE	MATERIAL		WEIGHT
		Body	Screws	
2500-3	305003	Zinc plated steel	Zinc plated steel	0,510 Kg

### SUPPORT



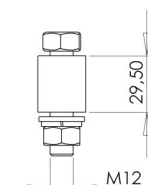
REFERENCE	CODE	MATERIAL		WEIGHT
		Base+Body	Screws	
2500-4	305004	Zinc plated steel	Zinc plated steel	0,242 Kg

### TRACK SUPPORT



REFERENCE	CODE	MATERIAL		WEIGHT
		Base+Body	Screws	
2500-4-A-500	305155	Zinc plated steel	Zinc plated steel	0,400 Kg

### END BUMPER STOP



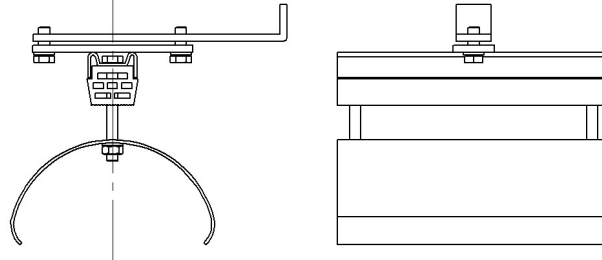
REFERENCE	CODE	MATERIAL		WEIGHT
		Body	Screws	
2502-2	305018	Zinc plated steel	Zinc plated steel	0,175 Kg

## ATEX FESTOON SYSTEM ON C-PROFILE 2500

### END CLAMP

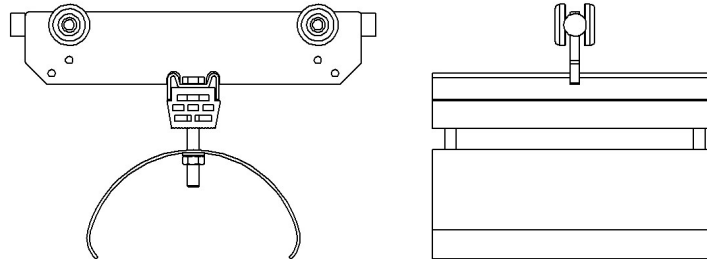


REFERENCE	CODE	MATERIAL			WEIGHT
		Body	Screws	Saddle	
2330-D(28)-L-PL-2-Ex	---	Zinc plated steel	Zinc plated steel	Zinc plated steel	-- Kg



### CABLE TROLLEY

REFERENCE	CODE	MATERIAL			WEIGHT
		Body	Screws + Ball bearings	Saddle	
2330-D(28)-L-PL-5-Ex	---	Zinc plated steel	Zinc plated steel	Zinc plated steel	-- Kg



### TOWING TROLLEY

REFERENCE	CODE	MATERIAL				WEIGHT
		Body	Screws + Ball bearings	Towing attachment	Saddle	
2330-D(28)-L-PL-6-Ex	---	Zinc plated steel	Zinc plated steel	Zinc plated steel	Zinc plated steel	-- Kg

