

SERIES 2347

Standard manufacturing in zinc plated steel.

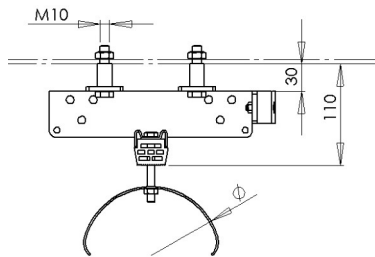
Ball bearings of wheels do not require maintenance, they are sealed for life and do not need relubrication.

Saddle with complete support for the electric cables manufactured in laminated steel.

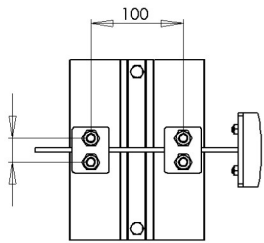
Rubber made buffers to reduce strokes between adjacent trolleys.

Towing ropes could be mounted, if necessary.

END CLAMP

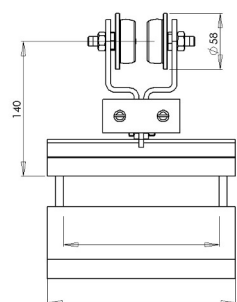
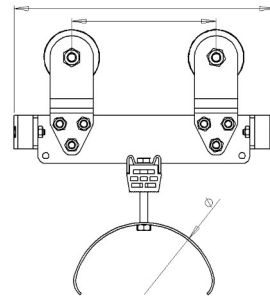
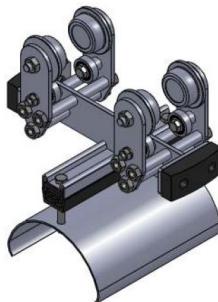
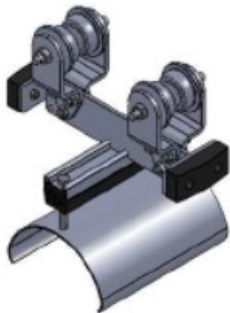


L: length of cable trolley (mm).
PL: saddle diam and useful width (mm).



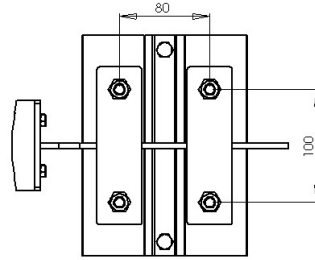
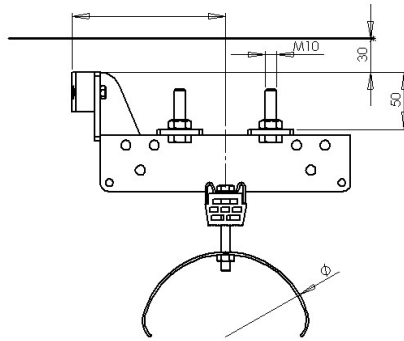
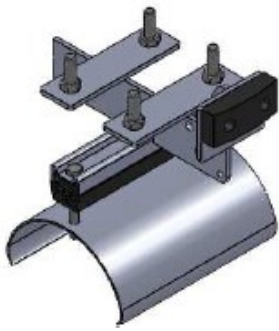
REFERENCE	CODE	MATERIALS	
		Body and Saddle	Screws
2347-L-PL-2	--	Zinc plated steel	Zinc plated steel
2347-L-PL-2-GC	--	Hot galvanized steel	Stainless steel
2347-L-PL-2-PLY	--	Painted steel	Stainless steel
2347-L-PL-2-Inox	--	Stainless steel	Stainless steel

CABLE TROLLEY



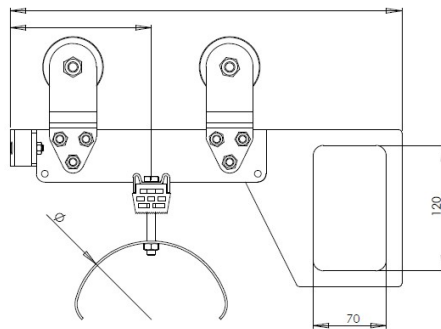
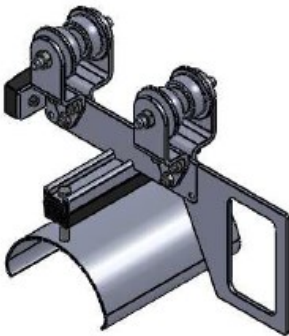
REFERENCE	CODE	MATERIALS		
		Body and Saddle	Wheels	Screws
2347-L-PL-5	--	Zinc plated steel	RC-58	Zinc plated steel
2347-L-PL-GB30-5	--	Zinc plated steel	RC-58+GB30	Zinc plated steel
2347-L-PL-5-GC	--	Hot galvanized steel	RC-58	Stainless steel
2347-L-PL-GB30-5-GC	--	Hot galvanized steel	RC-58+GB30	Stainless steel
2347-L-PL-5-PLY	--	Painted steel	RC-58	Stainless steel
2347-L-PL-GB30-5-PLY	--	Painted steel	RC-58+GB30	Stainless steel
2347-L-PL-5-Inox	--	Stainless steel	RC-58 Inox	Stainless steel
2347-L-PL-GB30-5-Inox	--	Stainless steel	RC-58+GB30 Inox	Stainless steel

TOWING CLAMP



REFERENCE	CODE	MATERIALS	
		Body and Saddle	Screws
2347-L-PL-6	--	Zinc plated steel	Zinc plated steel
2347-L-PL-6-GC	--	Hot galvanized steel	Stainless steel
2347-L-PL-6-PLY	--	Painted steel	Stainless steel
2347-L-PL-6-Inox	--	Stainless steel	Stainless steel

TOWING TROLLEY WITH WINDOW



REFERENCE	CODE	MATERIALS		
		Body and Saddle	Wheels	Screws
2347-L-PL-GB30-6	--	Zinc plated steel	RC-58+GB30	Zinc plated steel
2347-L-PL-GB30-6-GC	--	Hot galvanized steel	RC-58+GB30	Stainless steel
2347-L-PL-GB30-6-PLY	--	Painted steel	RC-58+GB30	Stainless steel
2347-L-PL-GB30-6-Inox	--	Stainless steel	RC-58+GB30 Inox	Stainless steel

CUSTOMIZED DIMENSIONS

The dimensions (trolley length, saddle diam, etc.) could be modified to be adjusted to customer's requirements. We have some standard dimensions which are habitually supplied:

SERIES	CABLE TROLLEY LENGTH (mm)	SADDLE DIAM (mm)	USEFUL WIDTH (mm)	TOTAL WIDTH (mm)
2312-47	270	150	115	150
2347-130	270	150	130	175
2347-150	270	150	150	195
2347-170	270	150	170	215

OUTDOORS

Upon request, special materials are available: zinc plated steel + polyester coat, hot galvanized steel or stainless steel.

ATEX

Upon request, special materials for ATEX classified zones are available.

TWO STAGES OR LATERAL SADDLES

Electric cables could be separately mounted on different stages or auxiliary lateral saddles.

